

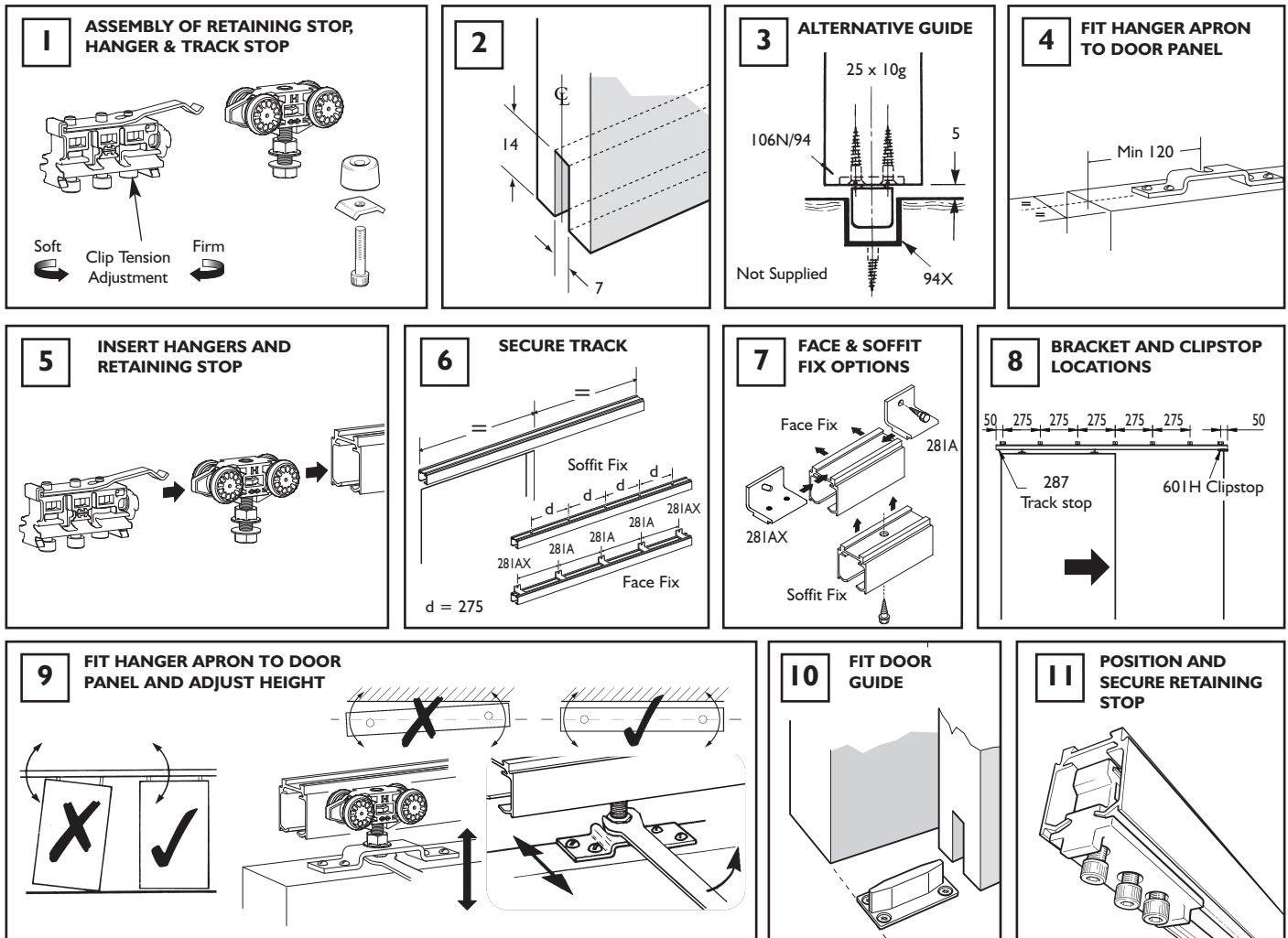
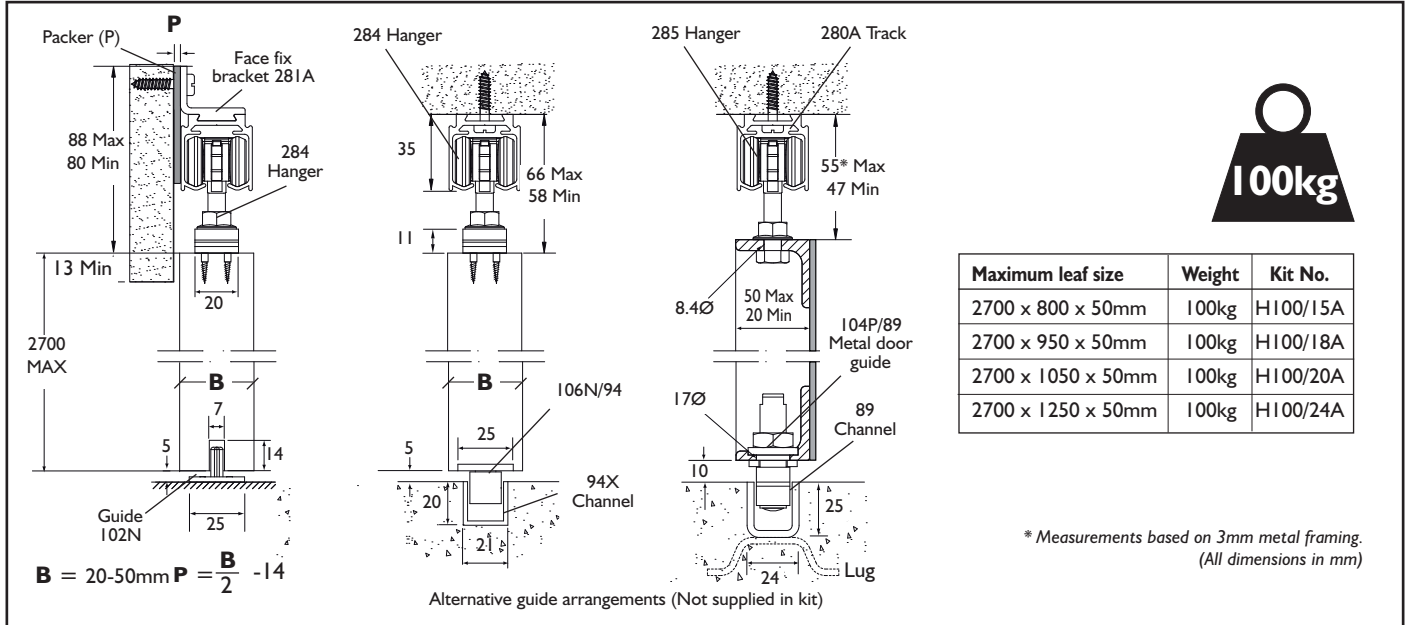
FITTING INSTRUCTIONS - NOTICE DE POSE - MONTAGE HANDLEIDING - MONTAGEANLEITUNG ISTRUZIONI DI MONTAGGIO - INSTUCCIONES DE MONTAJE

Warranty. This product is covered by a 10 year manufacturer's warranty. Please see the P C Henderson website for terms and conditions.

WATCH THE INSTALLATION VIDEO

Visit: <https://www.youtube.com/watch?v=MO0UBluujos>

Or scan the QR code using your phone



FITTING INSTRUCTIONS - NOTICE DE POSE - MONTAGE HANDLEIDING - MONTAGEANLEITUNG ISTRUZIONI DI MONTAGGIO - INSTUCCIONES DE MONTAJE

Warranty. This product is covered by a 10 year manufacturer's warranty. Please see the P C Henderson website for terms and conditions.

Maximum leaf size	Weight	Kit No.
2700 x 800 x 50mm	100kg	HI100/15
2700 x 950 x 50mm	100kg	HI100/18
2700 x 1050 x 50mm	100kg	HI100/20
2700 x 1250 x 50mm	100kg	HI100/24

B = 20-50mm **P** = $\frac{B}{2}$ - 14

Alternative guide arrangement (Not supplied in kit)

* Measurements based on 3mm metal framing.
(All dimensions in mm)

1 ASSEMBLY OF RETAINING STOP, HANGER & TRACK STOP

2

3 ALTERNATIVE GUIDE

4 FIT HANGER APRON TO DOOR PANEL

5 INSERT HANGERS AND RETAINING STOP

6 SECURE TRACK

7 FACE & SOFFIT FIX OPTIONS

8 BRACKET AND CLIPSTOP LOCATIONS

9 FIT HANGER APRON TO DOOR PANEL AND ADJUST HEIGHT

10 FIT DOOR GUIDE

11 POSITION AND SECURE RETAINING STOP

