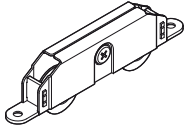
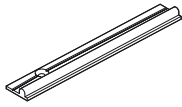


## FITTING INSTRUCTIONS - NOTICE DE POSE - MONTAGE HANDLEIDING - MONTAGEANLEITUNG ISTRUZIONI DI MONTAGGIO - INSTUCCIONES DE MONTAJE

Instructions cover the installation of the following components



200SS Roller



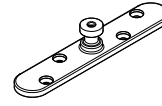
915A or 915B  
Bottom Rail



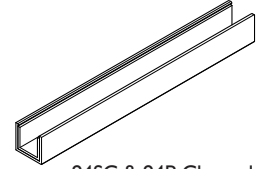
DS200/SS Floor Stop



113SS/94 Corner Bracket

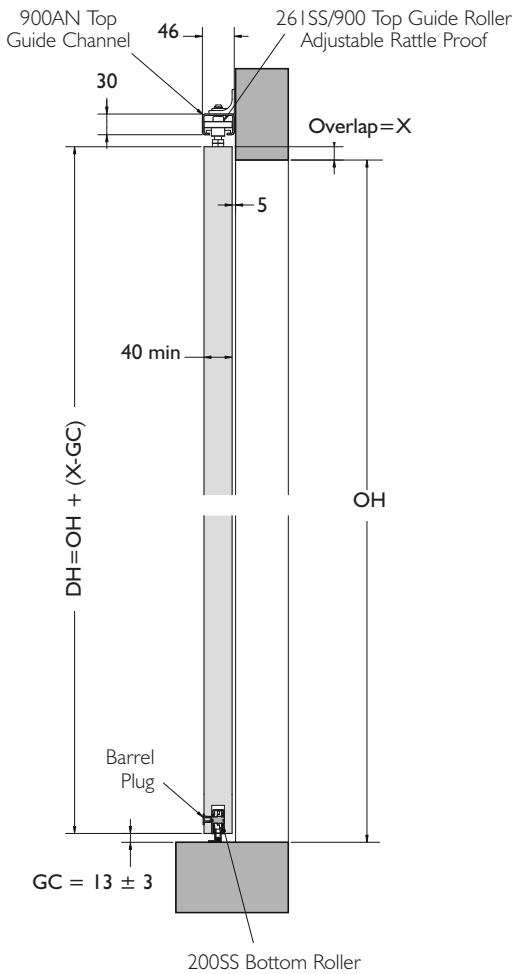


106HSS/94 Guide

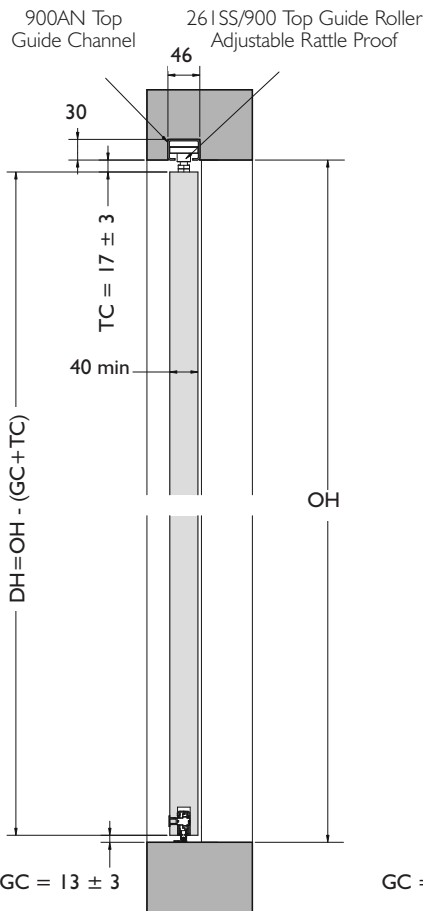


94SC & 94P Channel

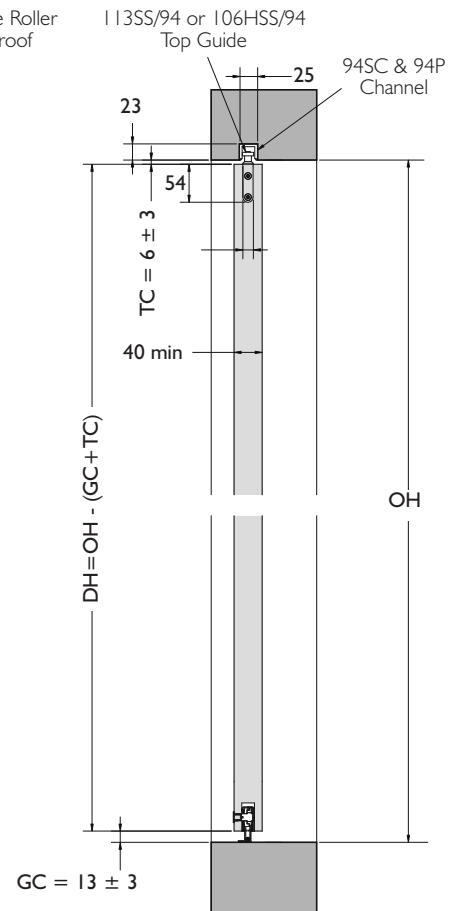
### Face Fix



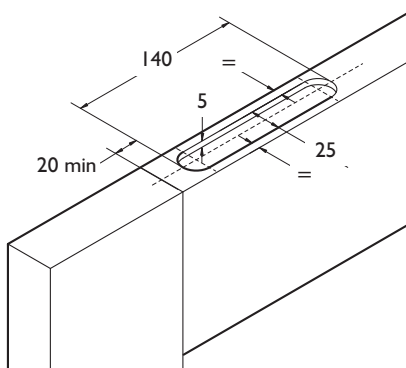
### Soffit Fix



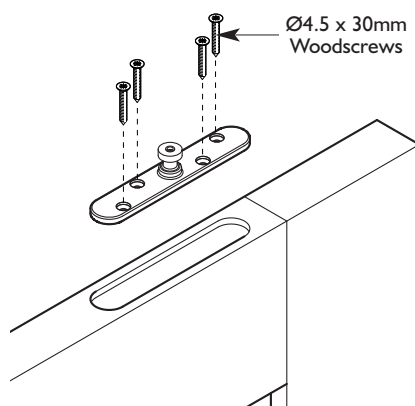
### Alternative Soffit Fix



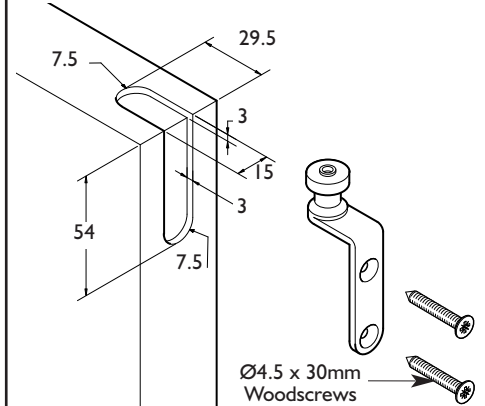
### Routing detail for guide rollers



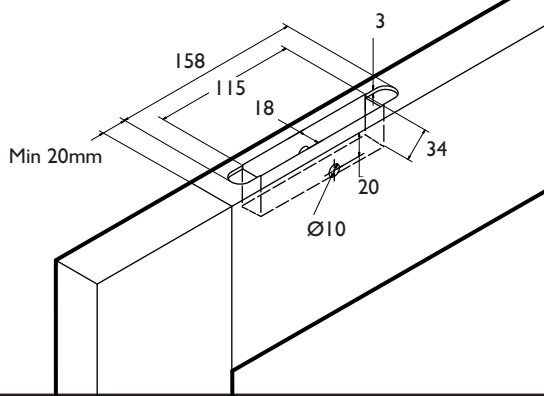
### Locate guide rollers



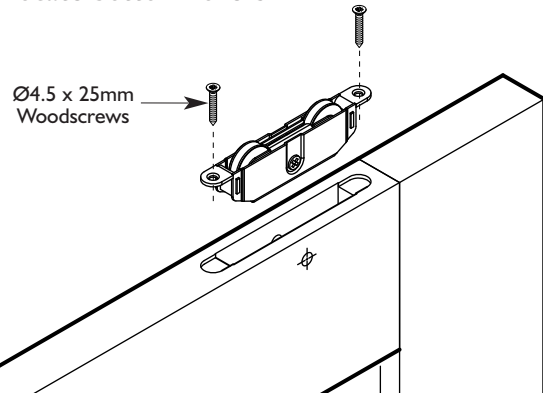
### Routing detail for corner bracket



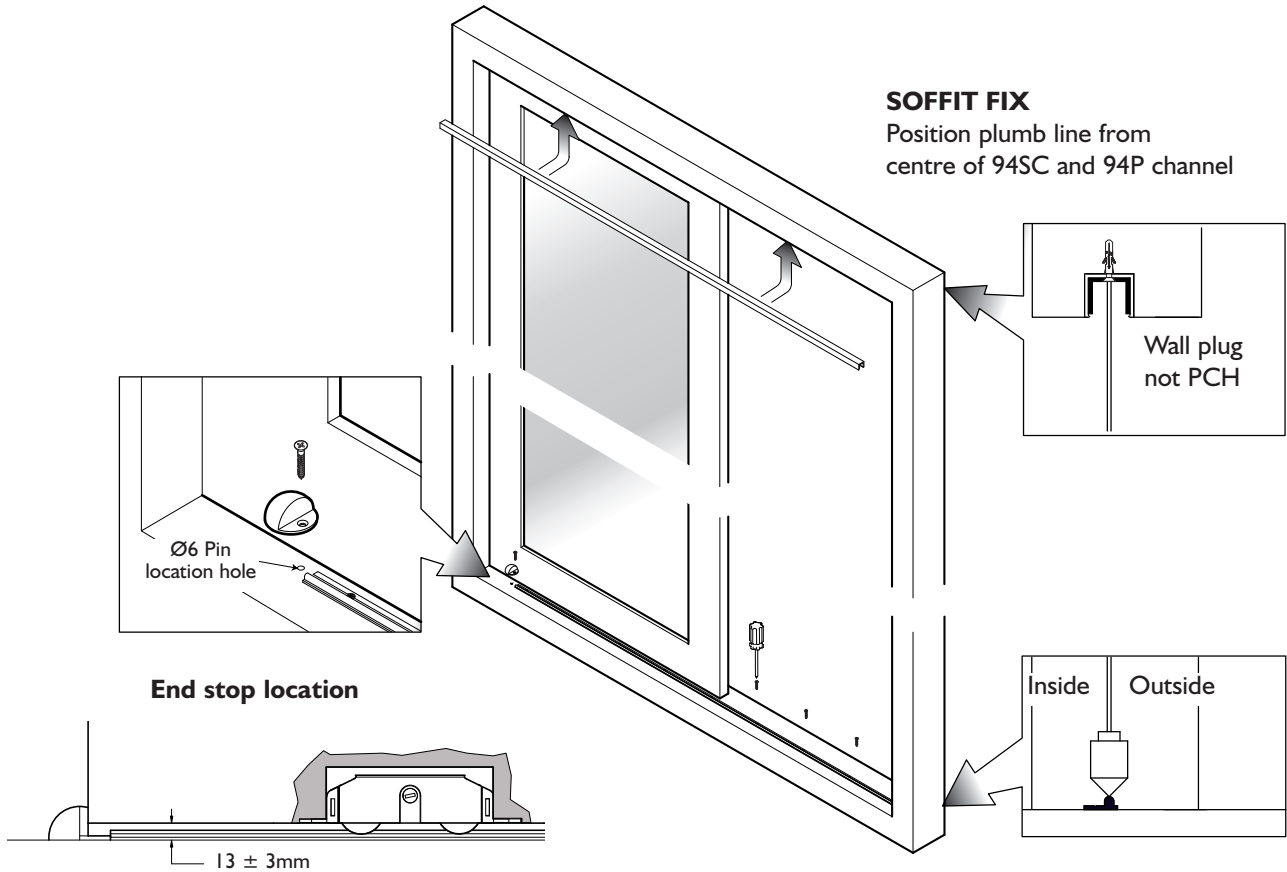
**Routing detail for bottom rollers**



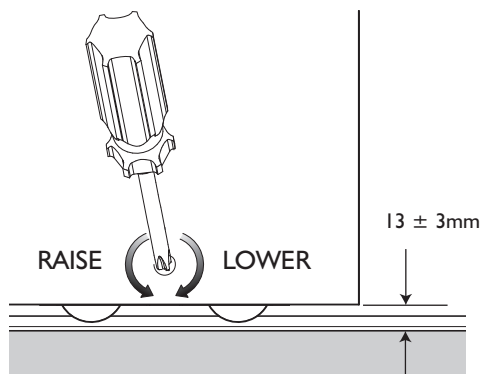
**Locate bottom rollers**



**Top guide channel and bottom rail installation**



**Bottom roller adjustment**



**Locate plugs**

