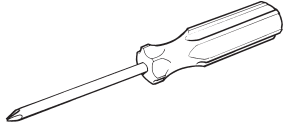


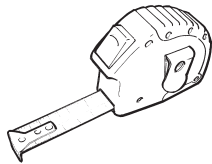
**FITTING INSTRUCTIONS - NOTICE DE POSE - MONTAGE HANDLEIDING - MONTAGEANLEITUNG  
ISTRUZIONI DI MONTAGGIO - INSTUCCIONES DE MONTAJE**

**Warranty.** This product is covered by a 10 year manufacturer's warranty. Please see the P C Henderson website for terms and conditions.

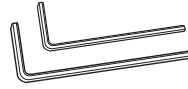
### Tools Required



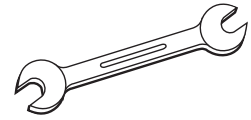
Posidrive screwdriver



Tape measure

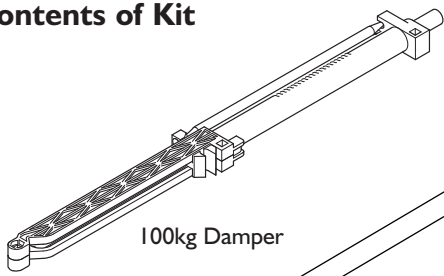


Allen keys 2 and 3mm

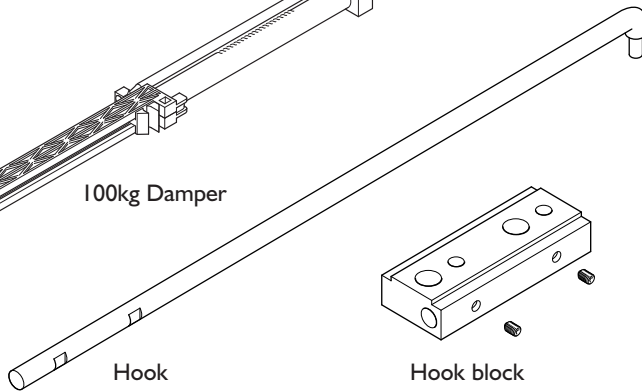


Spanner 10mm

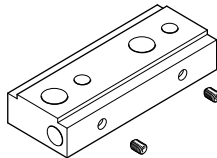
### Contents of Kit



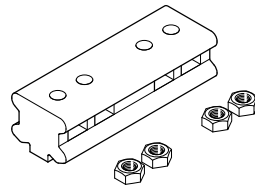
100kg Damper



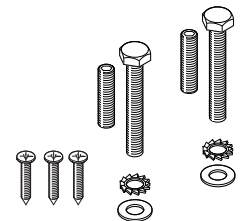
Hook



Hook block



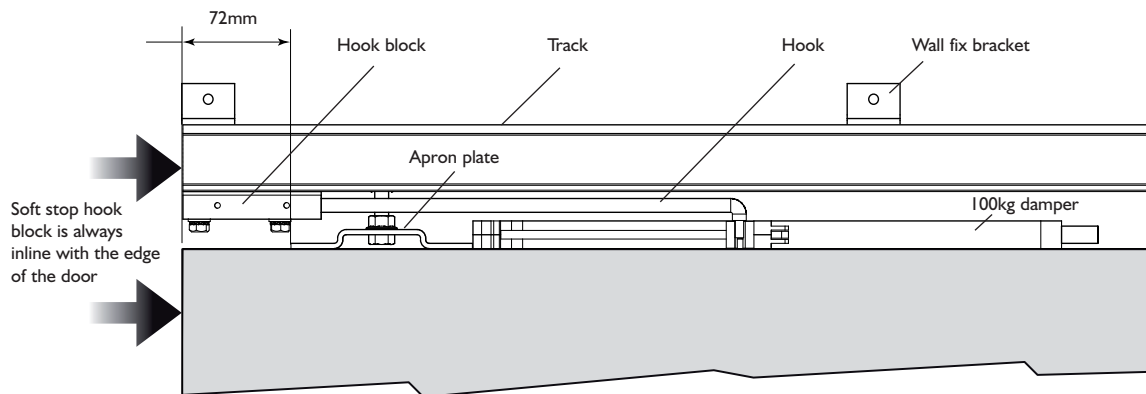
Soft stop block and M6 nuts



Fixing components

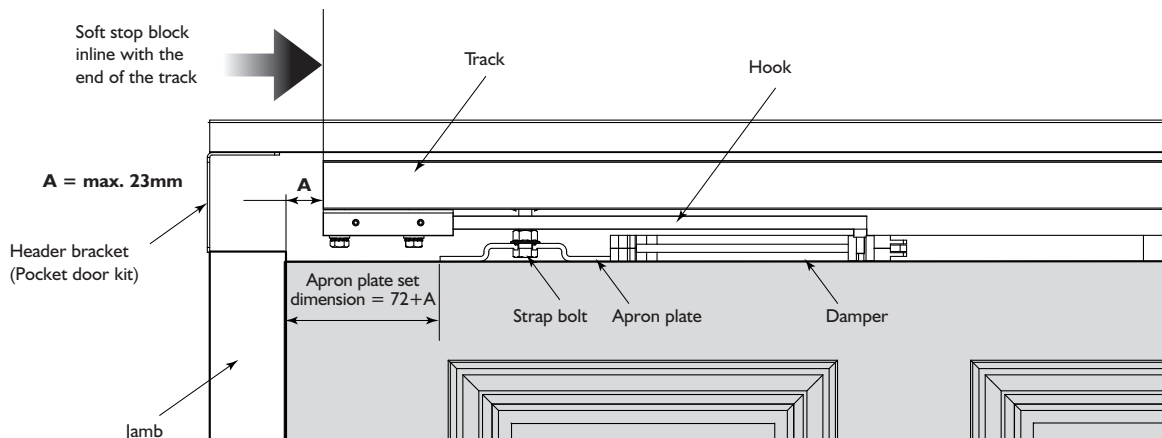
### STANDARD INSTALLATION

You should first determine where you want the door to stop in relation to the position in the track

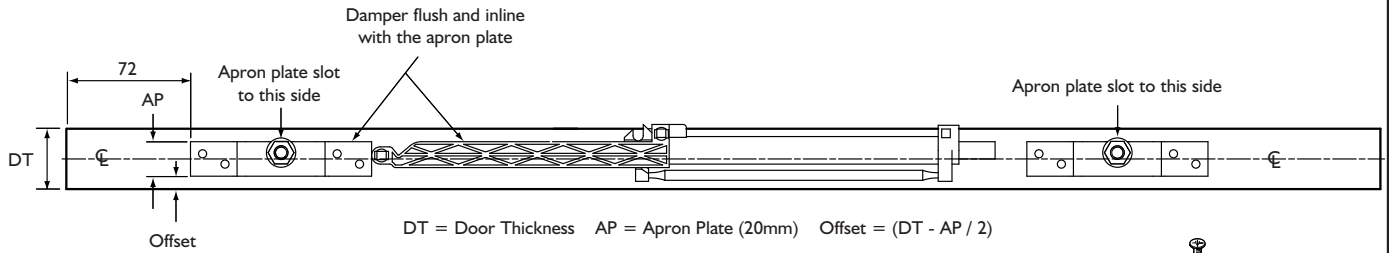


### POCKET DOOR INSTALLATION

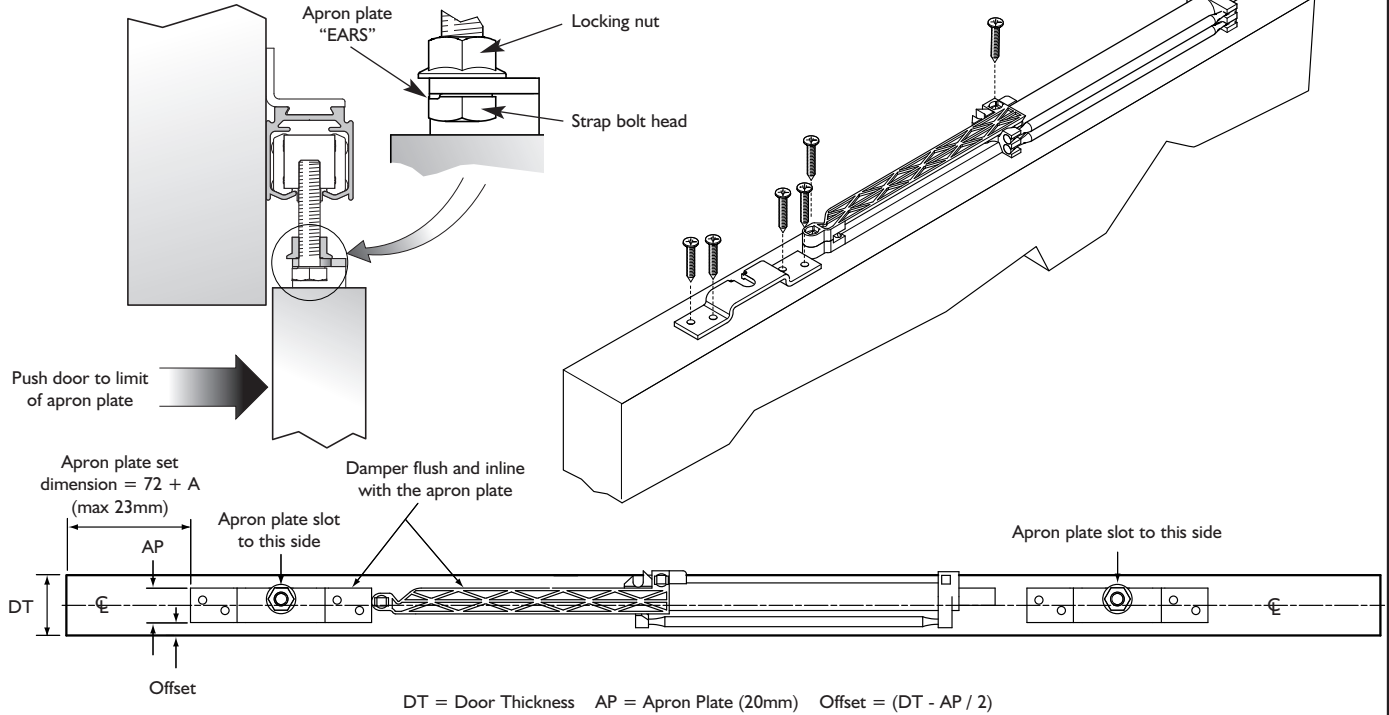
You should first determine where you want the door to stop in relation to the position in the track



## I With the offset in mind - secure the damper and hanger to the top of the door

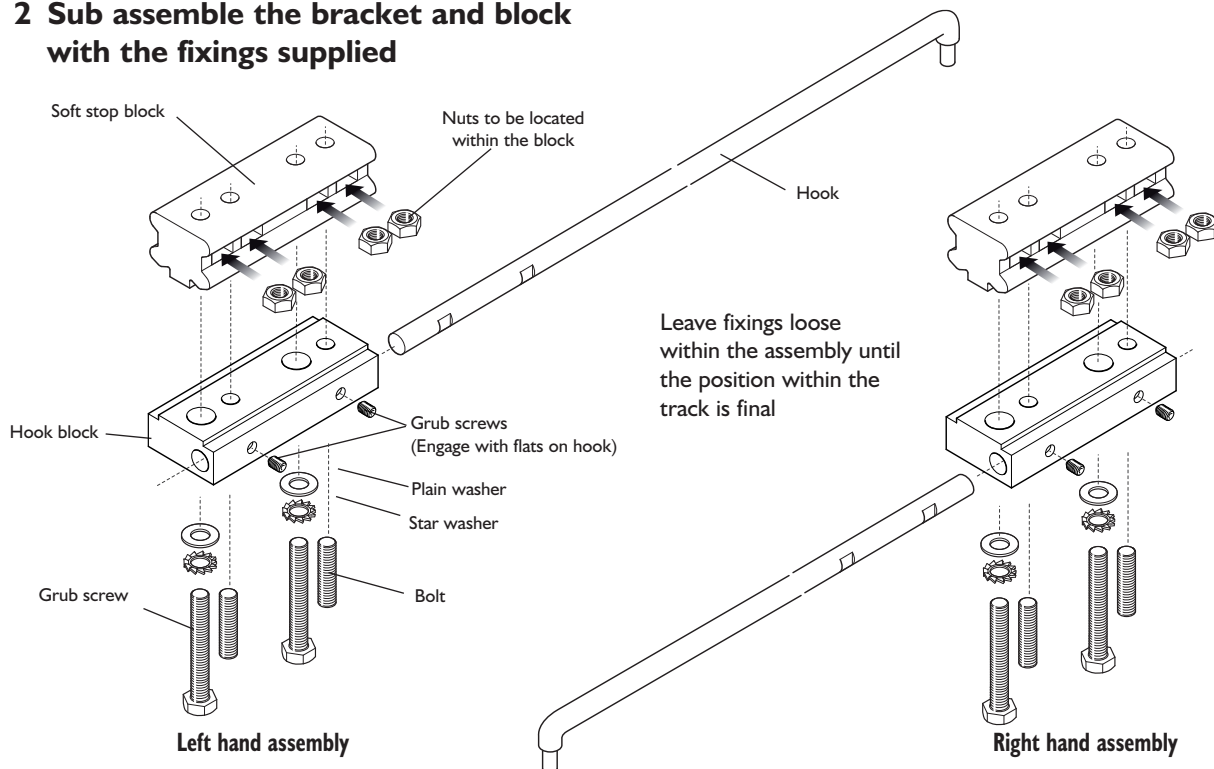


### STANDARD INSTALLATION

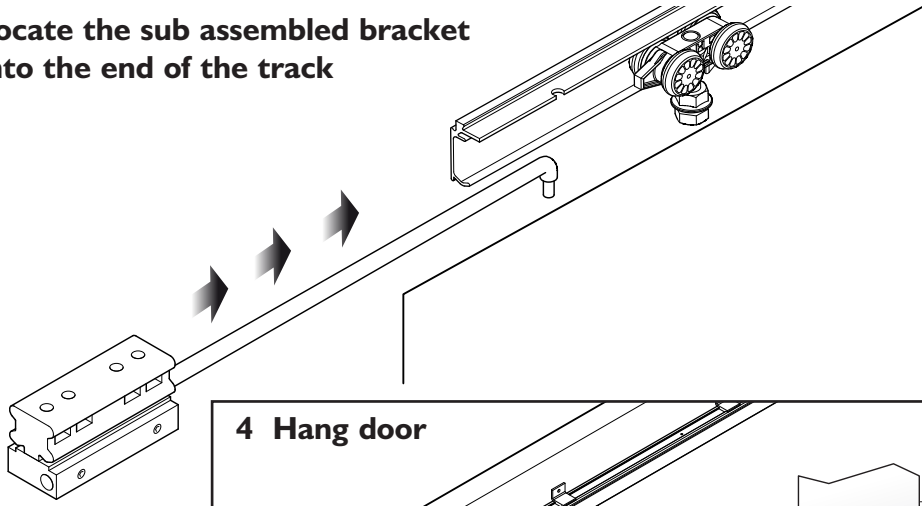


### POCKET DOOR INSTALLATION

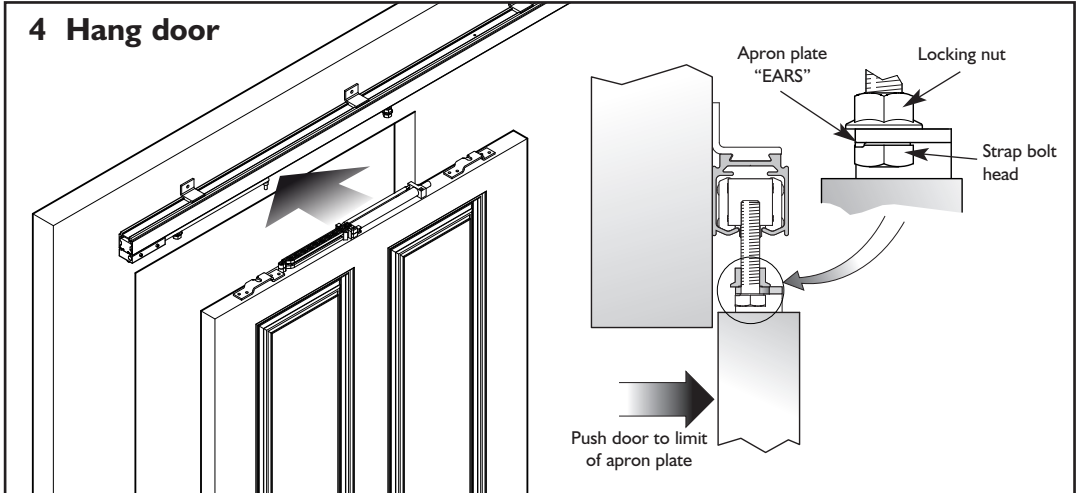
## 2 Sub assemble the bracket and block with the fixings supplied



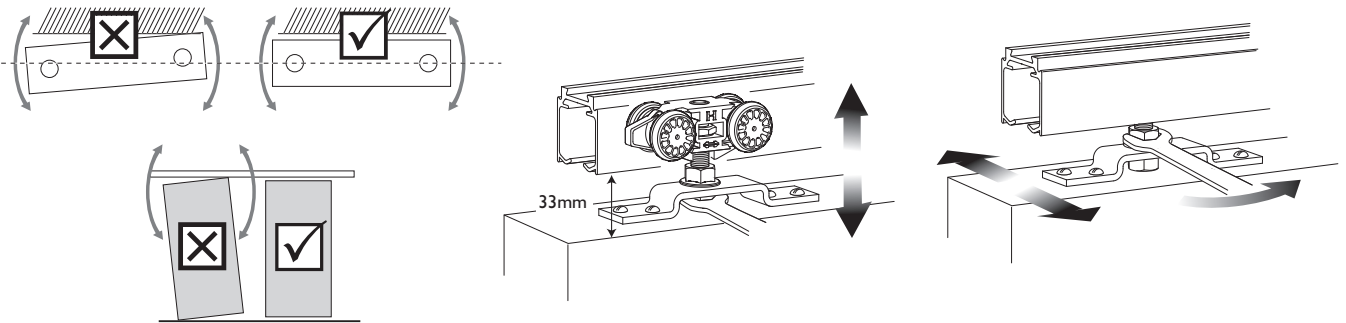
**3 Locate the sub assembled bracket into the end of the track**



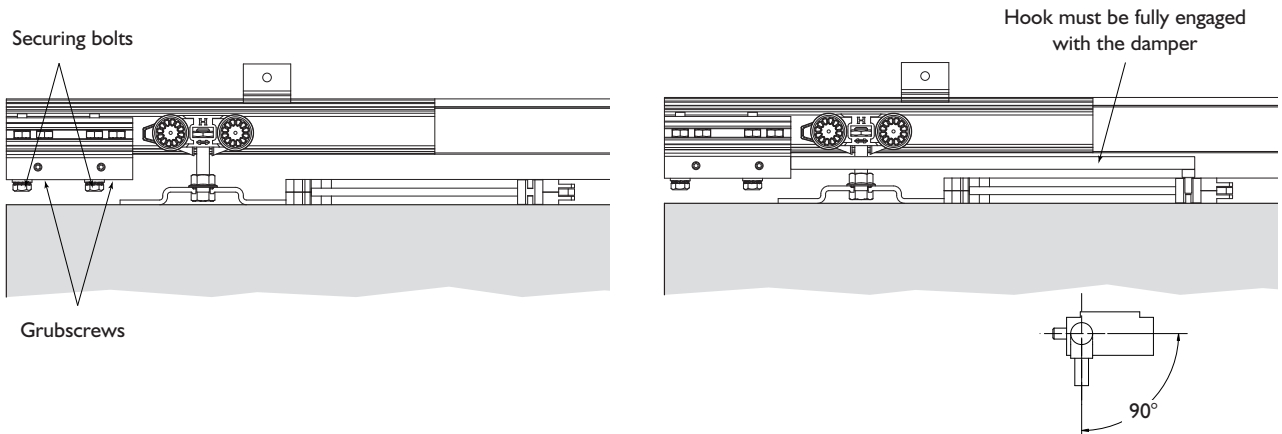
**4 Hang door**



**5 Ensure the door runs straight and inline with the track**

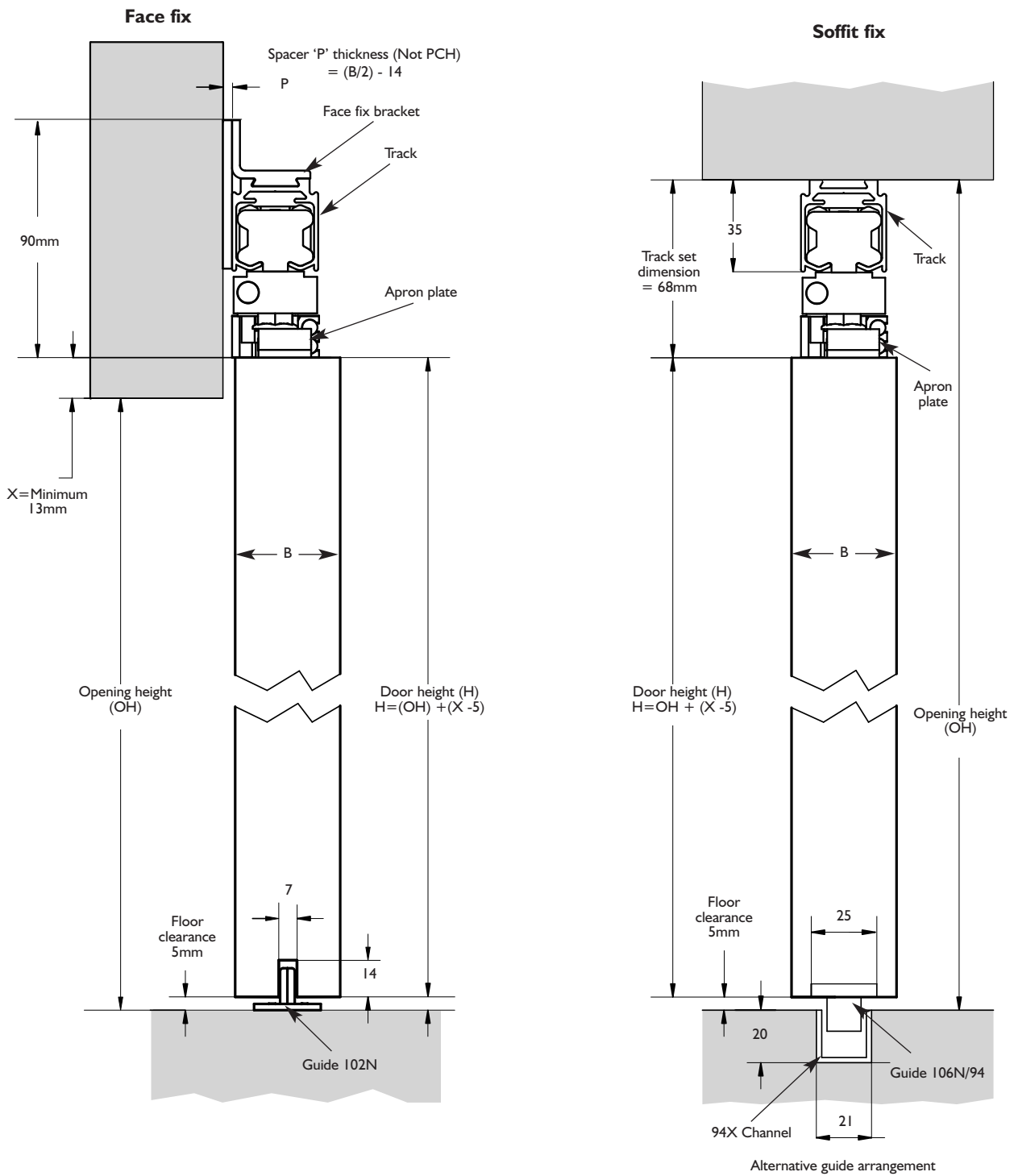


**6 Once positioned, secure the soft stop block to the track by tightening the grub screws. Secure the bracket to the underside of the track by tightening the securing bolts**



## 7 Ensure sufficient engagement with damper. Adjust height at apron plate to suit drop

Single damper installation : Minimum door width = 716mm  
 Double damper installation: Minimum door width = 1078mm  
 Min Door Thickness (Single & Double) = 35mm



(All dimensions in mm)