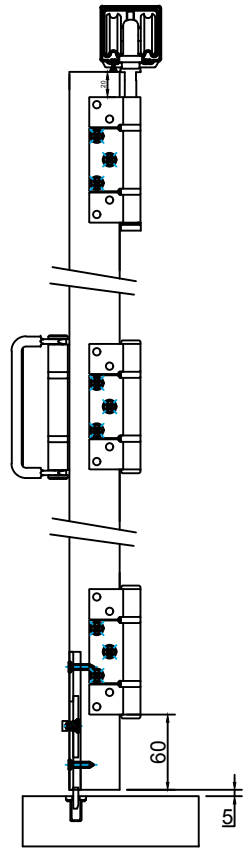
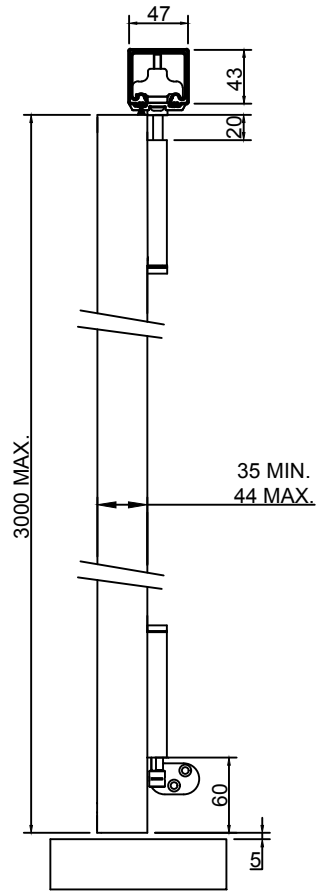


Scharnier recht (Bag C)  
 Scharnier offset (Bag E)

Eindhangrol (Bag D)

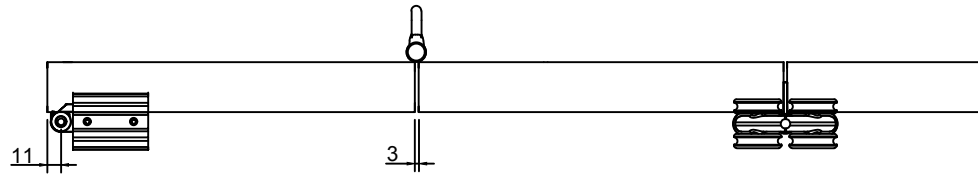
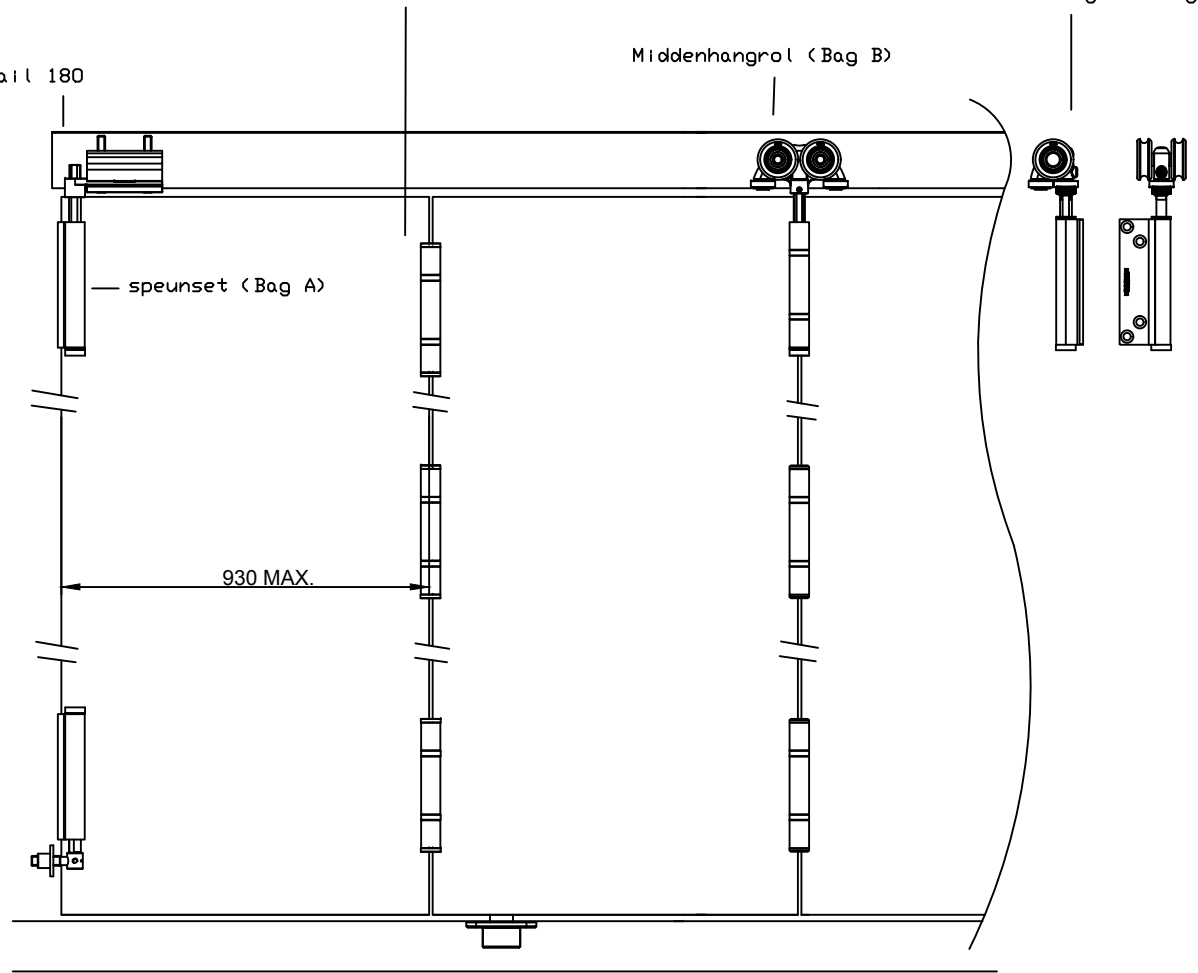


Rail 180

Middenhangrol (Bag B)

speunet (Bag A)

930 MAX.



NOTES  
 1. DRAWING IS FOR REFERENCE AND SUBJECT TO CHANGE WITHOUT NOTICE.  
 2. APPLICATION IS OF THINER DEER WEIGHT MAX 50kg.  
 3. ALL DIMENSIONS ARE IN MILLIMETERS.

Description	REFLEX 3.0
Model	RFK
Color	
Drawing-size	A0
Revision	A

**HENDERSON**

www.pchenderson.com