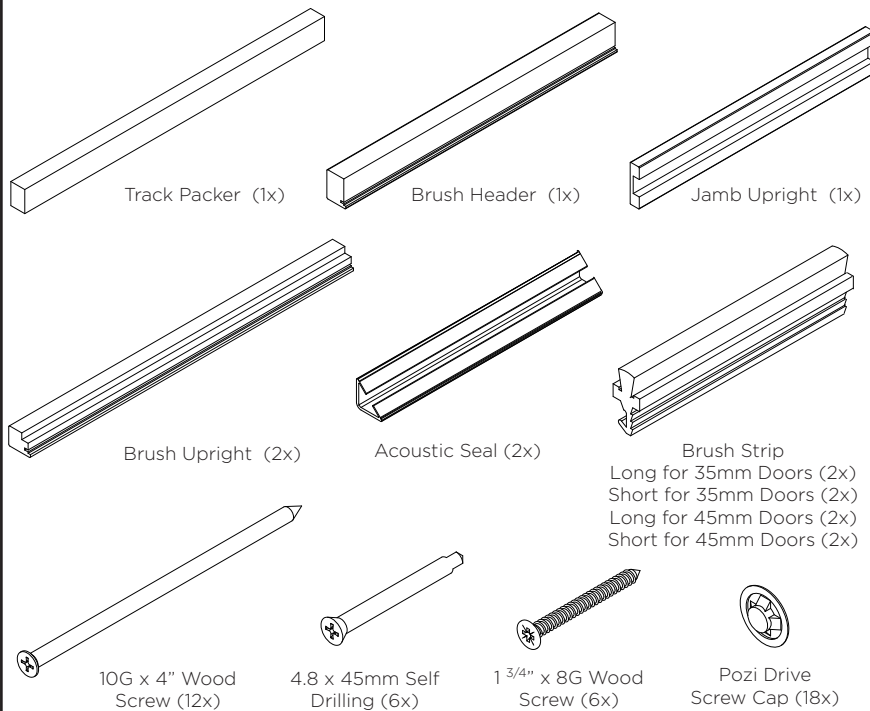


POCKET DOOR PRO SINGLE DOOR LINER KIT

HENDERSON

FITTING INSTRUCTIONS

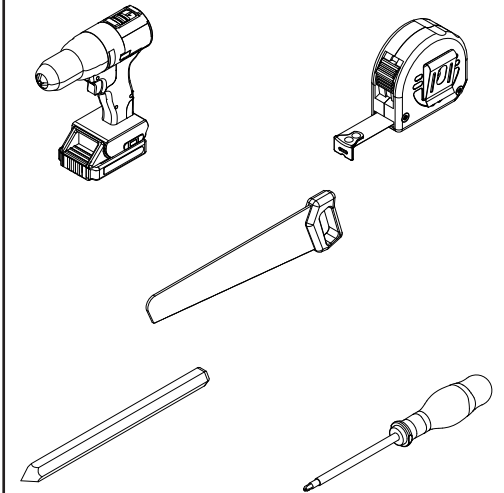
KIT CONTENTS



KIT AND DOOR SPECIFICATION

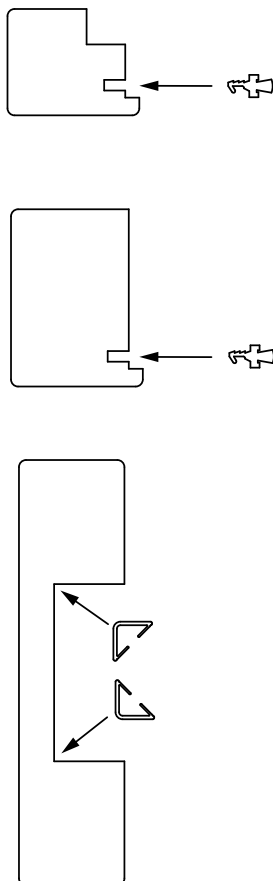
| Kit Short Code | Max. Door Thickness | Wall Thickness |
|----------------|---------------------|----------------|
| LKH/120 | 45mm | 120mm |
| LKH/125 | 45mm | 125mm |

TOOLS REQUIRED



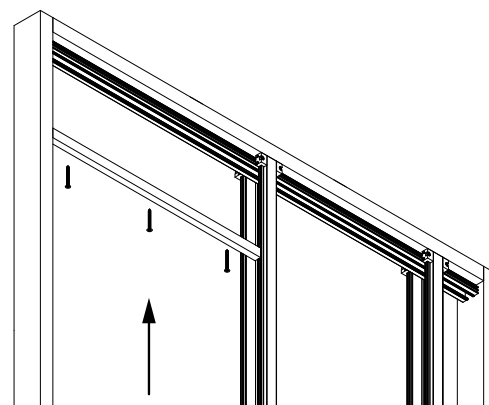
1

ADD BRUSH STRIPS AND ACOUSTIC SEAL TO LINER KIT.



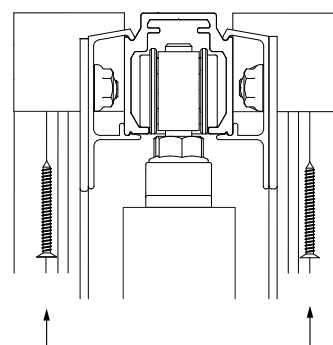
2

CUT TRACK PACKER TO SUIT OPENING. SECURE WITH 1 3/4" X 8G SCREW.



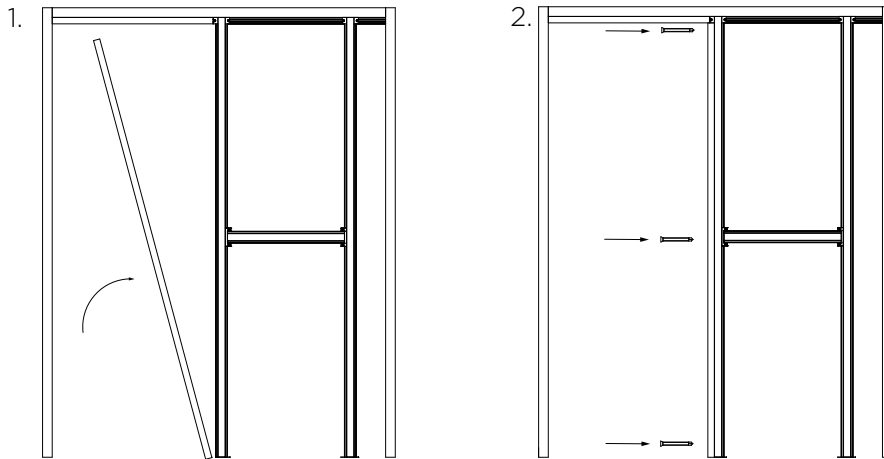
Track Packer Reduction Calculation
Reduction = Door Width (DW) - 12.5mm

Side View



3

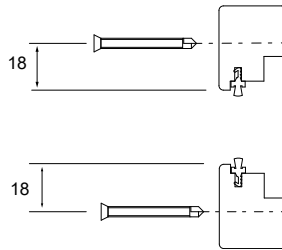
CUT DOWN BRUSH UPRIGHT TO SUIT OPENING. SECURE WITH 4.8 X 45MM SCREW.



Brush Upright Reduction Calculation

$$\text{Reduction} = \text{Opening Height (OH)} - 30\text{mm}$$

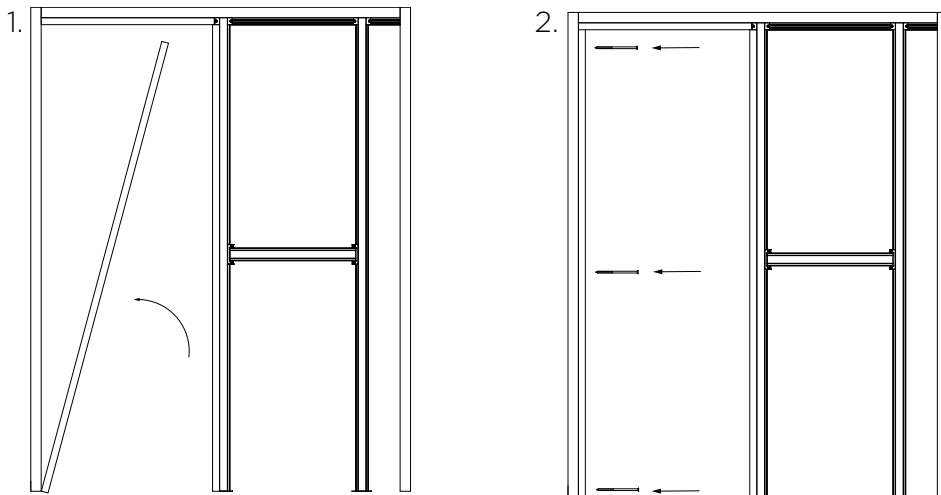
Screw Positions



Note: Pilot drill and countersink if required

4

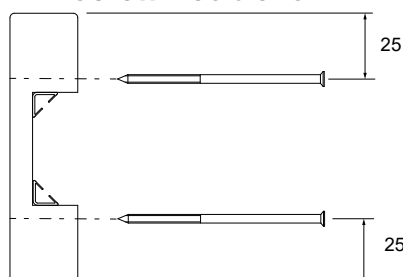
CUT DOWN JAMB UPRIGHT TO SUIT OPENING. SECURE WITH 10GX4" SCREW.



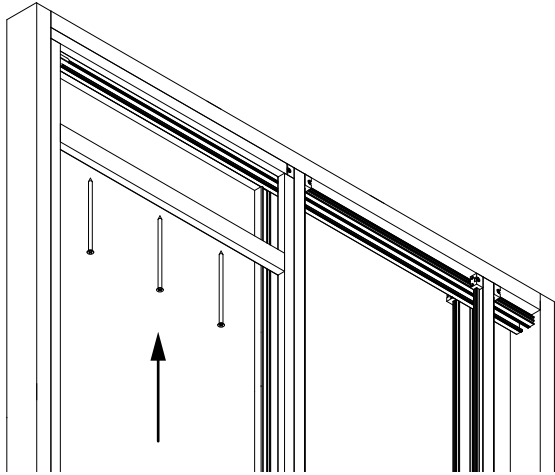
Jamb Timber Reduction Calculation

$$\text{Reduction} = \text{Opening Height (OH)} - 30\text{mm}$$

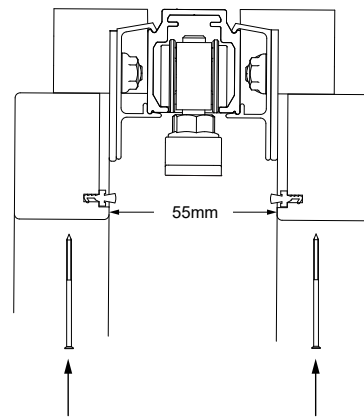
Screw Positions



5 CUT HEADER INTO TWO PIECES. SECURE WITH 10G X 4" SCREW.



Side View



Header Timber Reduction Calculation
Reduction = Door Width (DW) - 50mm

Note: Pilot drill and countersink if required

FINISHING TOUCHES

1. Complete installation by adding provided screw caps to exposed screw heads.
2. Ensure plasterboard is butted up tight against the outside of all the jambs.

P C HENDERSON LTD
Durham Road, Bowburn,
Co. Durham,
DH6 5NG

UK SALES
+44 (0) 191 377 7345
sales@pchenderson.com
www.pchenderson.com

IRELAND SALES
+353 (0)1 643 6816
sales@pchenderson.ie
www.pchenderson.com

INTERNATIONAL SALES
+44 (0) 191 377 7346
international@pchenderson.com
export.pchenderson.com

370802
REV 2
Jun 23